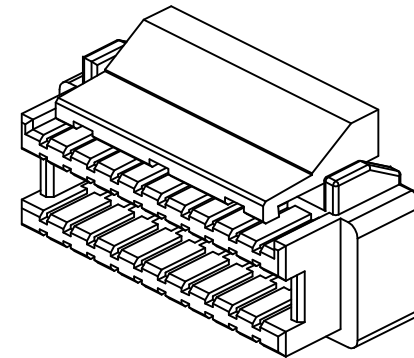
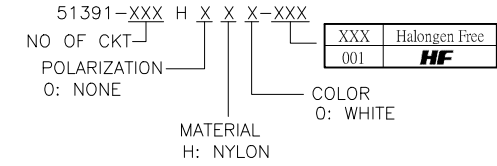
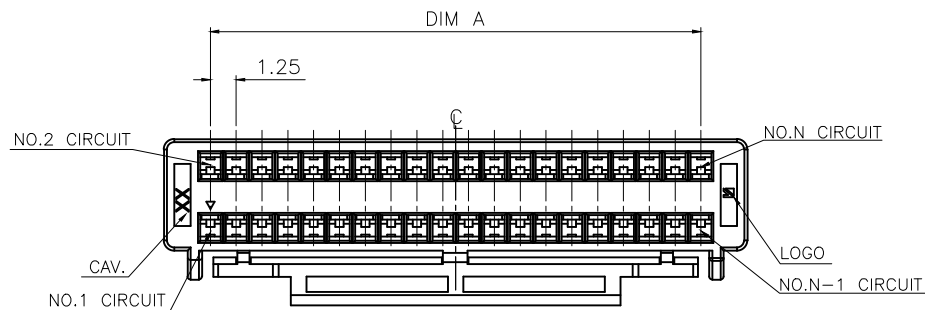


- NOTES:
 1. MATERIAL: HALOGEN FREE PLASTIC, HIGH TENP. UL 94V-0
 2. SPEC. PLS. REFER TO PS-51390-xxxxx-xxx
 3. PART NUMBER

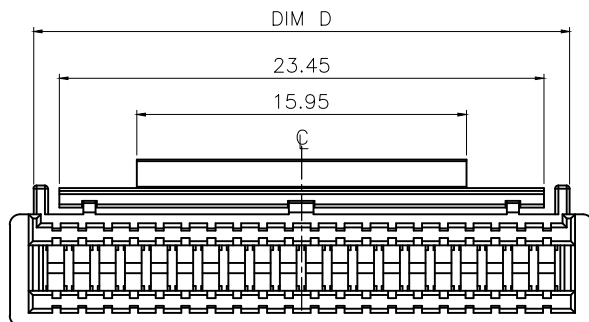
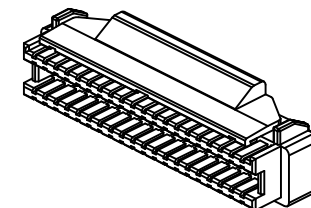
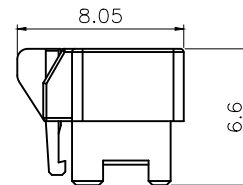
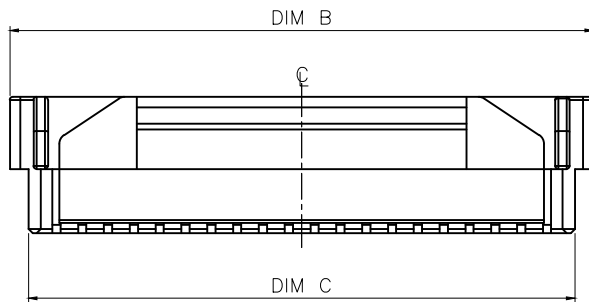
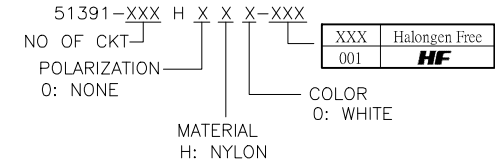


CKT.	DIMA	DIMB	DIMC	DIMD	DIME
20	11.25	15.75	13.95	13.45	10.95
30	17.50	22.00	20.20	19.70	17.20

QUALITY SYMBOLS MAJOR Ⓜ CRITICAL Ⓢ GENERAL TOLERANCES (UNLESS SPECIFIED) X. ±0.5 .X ±0.25 .XX ±0.15 .XXX ±0.1 ANGLES ±2°	DRAWN BY SHISONGTAO	DATE 20'06/22	
	CHECKED BY XUZHIYONG	DATE 20'06/22	
	APPROVED BY XUZHIYONG	DATE 20'06/22	SIZE A4
	UNITS mm		DWG NO. N/A
	SCALE 2:1	SHEET NO. 1 OF 2	REV A
			PART NO. 51391-XXXHXXX-XXX



- NOTES:
 1. MATERIAL: HALOGEN FREE PLASTIC, HIGH TENP. UL 94V-0
 2. SPEC. PLS. REFER TO PS-51390-xxxxx-xxx
 3. PART NUMBER



CKT.	DIMA	DIMB	DIMC	DIMD
40	23.75	28.25	26.45	25.95
50	30.00	34.50	32.70	32.20

QUALITY SYMBOLS MAJOR CRITICAL GENERAL TOLERANCES (UNLESS SPECIFIED) X. ±0.5 .X ±0.25 .XX ±0.15 .XXX ±0.1 ANGLES ±2°	DRAWN BY SHISONGTAO	DATE 20'06/22	
	CHECKED BY XUZHUYONG	DATE 20'06/22	
	APPROVED BY XUZHUYONG	DATE 20'06/22	SIZE A4
	UNITS mm		DWG NO. N/A
	SCALE 2:1	SHEET NO. 2 OF 2	REV A
			PART NO. 51391-XXXHXXX-XXX